

INVOLIGHT

DMX LED Arrow Laser Effect



NL410

USER MANUAL

DMX LED Arrow Laser Effect Manual

Our DMX LED arrow laser effect light offers many wonderful effects which are very magic and dynamic. It is designed for professional places, such as stages, disco, night clubs etc.

please read the manual before operation.

A. SPECIFICATION

Size: 32.5*25*11cm

Weight: 3.0kgs

Power in: 110V/240V 50HZ/60HZ

Power consumption: 40W

LEDs: 3W*5 (R: 1; G: 1; B: 1; W: 1; Y: 1)

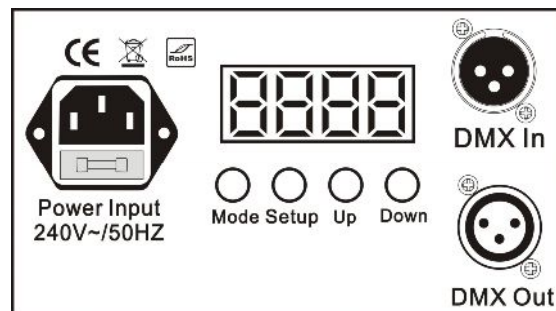
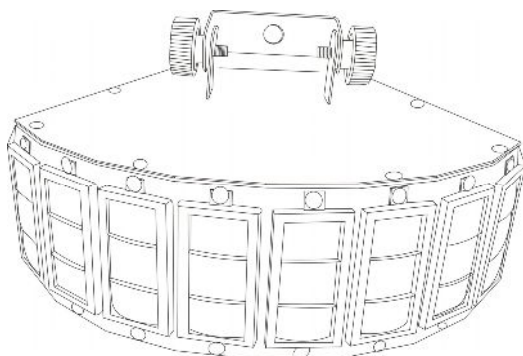
LED display for easier operation

Selectable built-in programs, Auto running, DMX mode, slave mode, sound active

Two sound active modes optional.

LEDs running speed, motors running speed and motors retention time adjustable.

B. 1, PRODUCT PICTURE



C. OPERATION:

After power on, Press “MODE” button to activate the main menu: Built-in programs, Auto run, DMX mode, Slave mode, Sound active mode.

“SETUP” is to set the relative specification for current mode.

“UP” is to add the value of current specification.

“DOWN” is to decrease the value of current specification.

Built-in programs-- running one of 14 built-in programs

Auto run—running built-in programs one after another in continuous loop.

DMX mode--controlled by DMX controller

Slave mode—the projectors in this mode will be synchronously run with the projectors in master mode

Sound active mode-- running by sound active

1. built-in programs

With this LED light you can select 14 different Programs. Press “SETUP” and “UP” “DOWN” buttons to

select the programs (**Pr.0 1**) and select the desired program value.

For example,

When it shows **Pr.0 1**, press “SETUP” button for the first time, it will show **SP.99**, you can set the LEDs running speed of the program by “UP” and “DOWN” .

Press “SETUP” button for the second time, it will show **F5.00**, then you can set the flash frequency for it by “UP” and “DOWN” .

Press “SETUP” button for the third time, it will show **A507**, then you can set the motors running speed by “UP” and “DOWN” .

Press “SETUP” for the fourth time, it will show **AF53**, then you can set retention time for the motor after running one step by “UP” and “DOWN” .

2. Auto run mode

You can press “MODE” button to select auto run mode, it shows **AU70**, then you can press “SETUP” button for the first time, it shows **r.00 1**, then you can set the running loops by “UP” and “DOWN” .

Press “SETUP” button for the second time, it will show **SP.99**, you can set the LEDs running speed of the programs by “UP” and “DOWN” .

Press “SETUP” button for the third time, it will show **F5.00**, then you can set the flash frequency for LEDs by “UP” and “DOWN” .

Press “SETUP” button for the fourth time, it will show **A507**, then you can set the motors running speed by “UP” and “DOWN” .

Press “SETUP” for the fifth time, it will show **AF53**, then you can set retention time for the motor after running one step by “UP” and “DOWN” .

3. DMX mode

You can control the devices individually via your DMX controller. Press “MODE” button, when it is **d.00 1**, it is in DMX mode, this means DMX address is 001, you can set the DMX address by “UP” and “DOWN” buttons.

DMX value as follows:

DMX mode 1: d-P1

CH1			CH2	CH3	CH4	CH5
NO.	DMX value	LEDs Programs	LEDs running speed	LEDs flash frequency	Motor running speed	Motor retention time
1	0	OFF	NO USE	NO USE	SPEED 0--255	TIME 0--255
2	1--15	PROGRAM01	SPEED 0--255	FLASH 0--255		
3	16--31	PROGRAM02				
4	32--47	PROGRAM03				
5	48--63	PROGRAM04				
6	64--79	PROGRAM05				
7	80--95	PROGRAM06				
8	96--111	PROGRAM07				
9	112--127	PROGRAM08				
10	128--143	PROGRAM09				
11	144--159	PROGRAM10				
12	160--175	PROGRAM11				
13	176--191	PROGRAM12				
14	192--207	PROGRAM13				
15	208--223	PROGRAM14				
25	224--255	Sound Mode	Sensitivity 0--255			

DMX mode 2 : d-P2

CH1			CH2	CH3	CH4
NO.	DMX Value	LEDs Programs	LED Flash frequency	Motor running speed	Motor retention time
1	0	OFF	NO USE	SPEED 0--255	TIME 0--255
2	1--20	R	FLASH 0--255		
3	21--41	G			
4	42--62	B			
5	63--83	W			
6	84--104	Y			
7	105--125	RG			
8	126--146	GB			

9	147--167	BY		
10	168--188	YW		
11	189--209	RGB		
12	210--230	RGBW		
13	231--251	RGBYW		
14	252--255	Sound Mode	Sensitivity 0--255	

3. Slave mode

press “MODE” button to select **SLAVE** to run the slave mode.

5. Sound mode

press “MODE” button to select **SOUND** to be run, press “SETUP” button, it shows **5.1.3.1** (activated one time, running one step), if soft music, this mode is better. or **5.2.3.1** (activated one time, running for 5 seconds), press “UP” or “DOWN” buttons for one second until it switches to another sound mode, if rock music, this mode is better.

Adjust the sensitivity by pressing “UP” “DOWN” buttons.

Sensitivity: SX00-SX31

INVOLIGHT